



QUON 8-Litre

CW 25 360

6x4



SPECIFICATIONS

Power:	263 kW (357 PS) @ 2200 rpm
Torque:	1428 Nm (1055 lb.ft) @ 1200 rpm
Transmission:	ESCOT-VI automated manual transmission (AMT)
Suspension:	Air bag suspension
Wheelbase:	6385 mm
GVM:	25,000 kg
GCM:	38,000 kg

Note: CW 25 360 shown may not be representative of actual vehicle.

QUON UNIQUE FEATURES

-  **SMART FUEL EFFICIENCY AND RESPECT FOR THE ENVIRONMENT**
GH8 engine: fuel efficient, powerful and clean.
-  **SMART UPTIME**
Quon has been designed to further optimise uptime, with superior reliability and increased maintenance intervals.
-  **SMART SAFETY**
Active safety with mechanical and electronic features throughout.
-  **SMART PRODUCTIVITY**
Light weight chassis helping to maximise payload.
-  **SMART DRIVABILITY**
The cabin has been designed with the user's comfort in mind, with outstanding ergonomics and visibility allowing the driver to concentrate on driving.

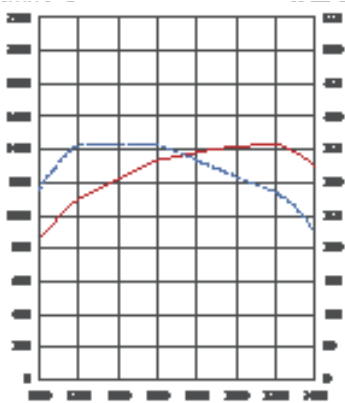
GENERAL SPECIFICATIONS

SAFETY

Passive Safety:	Highly rigid cabin Side door beams Front underrun protection system (FUPS) SRS driver steering wheel airbag Driver side seat belt with pre-tensioner Steering wheel & column with impact absorption function
Active Safety:	Traffic Eye Brake System Traffic Eye Cruise Control with auto stop and driver initiate go LDWS (Lane Departure Warning System) Electronic Stability Control (UDSC) Automatic Hill Start Assist (HSA) Lane change support LHS & RHS Blind side information system LHS & RHS
Basic Safety:	LED Headlamps Disc brakes Anti Locking Brake System Emergency Braking System UD Extra Engine Braking (UD EEB) Safe Brake Blending Immobiliser Two-step entry and exit

ENGINE

Model:	GH8F
Description:	6 cylinder, 4 stroke diesel engine
Displacement:	7,698 cc
Bore x stroke:	110 mm x 135 mm
Compression ratio:	17.5:1
Max. Power (ECE Net):	263 kW (357PS) @ 2,200 rpm
Max. Torque (ECE Net):	1,428 Nm (1,050 lb.ft) @ 1,200 rpm
Max. governed engine speed:	2,400 rpm



FUEL AND INTAKE SYSTEM

Fuel capacity:	400 litres
Injection type:	High pressure common rail direct fuel injection system
Filtration:	Chassis mounted primary filter and engine mounted secondary filter

EMISSION CONTROL

Emission standard:	pPNLT (Japan 2016)
Adblue capacity:	50 litres
Exhaust system:	RHS chassis mounted box muffler

ELECTRICAL

Power:	24 volt, negative ground system
Battery capacity:	2 x 12 volt 135 Ah batteries
Alternator:	110 amp

TRANSMISSION - ESCOT

Make:	UD Trucks		
Model:	ESCOT-VI (AT2612F)		
Description:	Automated manual transmission (AMT)		
Shift type:	12 forward & 2 reverse gears		
Gear ratios:	Electronic shifter with fully automatic or manual control		
1st	14.94	7th	3.44
2nd	11.73	8th	2.70
3rd	9.04	9th	2.08
4th	7.09	10th	1.63
5th	5.54	11th	1.27
6th	4.35	12th	1.00
Rev 1	17.48	Rev 2	13.73
PTO capacity:	1000 Nm @ 70% or 90% (PTR-D)		

FRONT AXLE AND SUSPENSION SYSTEM

Ground capacity:	8,200 kg
Axle type:	Reverse Elliot I-Beam
Suspension:	Parabolic leaf spring with shock absorbers
Spring dimensions:	90mm x 1460mm
Spring constant:	347.7 N/mm

REAR AXLE AND SUSPENSION SYSTEM

Ground capacity:	21,000 kg
Axle type / model:	Single reduction, hypoid gear, with cross locks.
Final reduction ratio:	3.4
AIR SUSPENSION Description:	8 air bag
Shock absorbers:	4 telescopic double acting
Control system:	Electronic Controlled Air Suspension with remote control mounted in cab (ECAS4)

BRAKES

Type:	Electronic braking system (EBS) with disc brakes on all axles
Front/Rear:	430 mm rotors / 430 mm rotors
Park brakes:	Hand-operated pneumatic spring park brake on drive axles
Auxiliary brake:	Exhaust plus engine compression type (EEB)
Trailer connections:	Air and electrical connections to rear of chassis

STEERING

Type:	Recirculating ball and screw with hydraulic assist
Steering gear ratio:	24.1 - 26.8 : 1
Column:	Adjustable, tilt and telescopic control
Steering wheel:	460 mm diameter with ignition key steering lock

TYRES

Front tyres:	275/70 22.5
Rear tyres:	275/70 22.5
Tyre brand:	Bridgestone

FRAME

Width:	850 mm
Side rail dimensions:	300 mm x 90 mm x 7 mm
Material:	Rolled high tensile carbon steel
Tensile strength:	600MPa / 600N/mm ²

DRIVER INFORMATION & CUSTOMISABLE COLOUR DISPLAY SCREEN

In Dash Warning Systems:	Visual warning lamps with audible warning tones plus written warnings displayed in full colour on the information screen
In Dash Driver Assistance:	Customisable live information includes: On board fuel coaching with economy tips, fuel & AdBlue usage, instant fuel consumption, digital speedo, trip computer including time, distance & distance to empty. Hour meter, coolant temp, engine oil temp, transmission oil temp, UDPC level and volt meter.

INTERNAL CABIN

Lighting:	Dual ON/OFF/DOOR interior lights Interior neon cabin lamp
Seating capacity:	Three
Driver's seat:	ISRI 6860/875 air suspended seat with integrated seat belt & adjustable arm rest. Adjustable height control & rebound damper. With split seat back adjustments for recline & head rest position. Seat base tilt, seat cushion slide, seat air dump switch. Adjustable air bladders (4) for side bolsters, upper & lower lumbar
Passenger seat/s:	Assistant seat with adjustable head rest Foldable centre seat, if fitted
Sleeping capability:	ADR 42/04 compliant sleeper bunk with mattress
Side windows:	Power operated door glass with auto up & down to driver's window. Isolation switch for passenger side window.
Security:	Remote central locking with immobiliser
Air conditioning:	Fully automatic climate controlled airconditioning with recirculation filter.

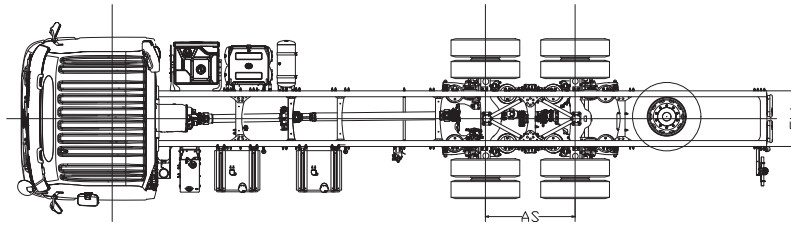
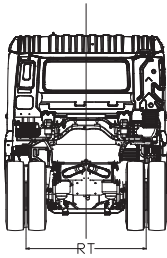
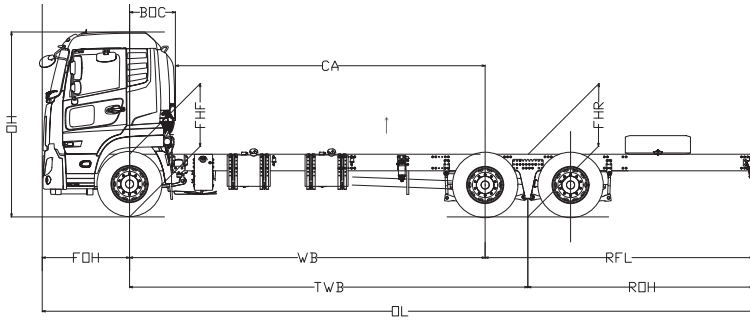
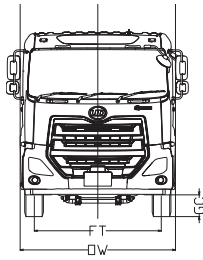
Multimedia unit:	6.5" capacitive multi-touch screen TFT 800x480 RGB min USB: 1 x front, 3 x rear automotive 2GB RAM and 16GB total flash memory Bluetooth 4.1 - A2DP with hands free, phone contacts transfer, call history & SMS WIFI embedded 802.11 b/g/n Built in Gyro, Built in chipset GPS with external antenna Internal microphone with optional external Camera inputs: 4 inputs, reverse, body, left & right side. Hardwire reverse camera input with CAN interface
Storage:	Multiple in-cab compartments
Power outlet:	24 volt 240W & 12 volt 120W in dash
DIN accessory fitment:	Two DIN sized compartments
Floor covering:	Vinyl

EXTERNAL CABIN

Cab Description:	Forward control, pressed steel construction
Mounting type:	Full floating, 4 bag air suspended cab with 4 dual acting shock absorbers and dual automatic height control valves
Cab paint:	Standard – "Polar White"
Inspection points:	Back of the cab and front panel
Bumper type:	3 piece with steel corner panels
Mirrors:	Heated & electrically operated main mirrors with flat glass, wide vision & passenger-side downward facing spot mirrors
Lamps:	LED head lamps (low beam) Bumper mounted fog lamps Roof mounted clearance lights
Wipers:	Triple arm, 2 speed wipers with variable intermittent operation & integrated washers
Reversing system:	Reverse beeper

MAJOR DIMENSIONS

Variant	Wheelbase code	Mass (kg)					Vehicle Dimensions (mm)														Turning radius (kerb to kerb)	UD order code			
		GVM*	GCM	Front Tare ^{1,3}	Rear Tare ^{1,3}	Total Tare ^{1,3}	WB	TWB	OL	OW	OH	FT ⁴	RT ⁴	FW	AS	FOH	ROH	RFL	BOC	CA			GC ²	FHF ²	FHR ²
UD - Air	V	25000	38000	4150	3620	7760	5700	6385	11516	2490	2936	2044	1833	850	1370	1392	3610	4295	715	4985	195	994	984	9800	CW25360AS



Rated GVM and axle capacities are subject to legal requirements.

Mass is an estimation only based on standard model, 50 litres Diesel fuel, full AdBlue, excludes driver and tools. Based on vehicle with standard wheels and tyres.

WARRANTY

Standard warranty⁺
Driveline warranty⁺⁺

24 months / 250,000 kms
36 months / 300,000 kms

⁺For details refer to your UD Trucks New Vehicle Warranty brochure