



QUON 11-Litre

CW 26 400 | 430 | 460

6x4 Rigid



SPECIFICATIONS

Power:	GH11TB - 294 kW (400 PS) @ 1600 rpm GH11TC - 316 kW (430 PS) @ 1600 rpm # GH11TD - 338 kW (460 PS) @ 1700 rpm #
Torque:	GH11TB - 2000 Nm (1475 lb.ft) @ 950 rpm GH11TC - 2000 Nm (1475 lb.ft) @ 950 rpm # GH11TD - 2250 Nm (1659 lb.ft) @ 1000 rpm #
Transmission:	ESCOT-VI automated manual transmission (AMT)
Rear Suspension:	Leaf spring or electronically controlled air suspension
Wheelbase:	Refer weights and dimensions table
GVM:	26,000 kg
GCM:	50,000 kg (400hp) 55,000 kg (430hp) # 60,000 kg (460hp) #

QUON UNIQUE FEATURES



NEW SMART FUEL EFFICIENT ENGINES WITH RESPECT FOR THE ENVIRONMENT

GH11 engine: fuel efficient, powerful and clean



SMART UPTIME

Quon has been designed to further optimise uptime, with superior reliability and increased maintenance intervals.



SMART SAFETY

Active safety with mechanical and electronic features throughout, including safety for vulnerable road users.



SMART PRODUCTIVITY

Light weight chassis helping to maximise payload. New engines with improved horsepower and torque to increase productivity.



SMART DRIVABILITY

The cabin has been designed with the user's comfort in mind, with outstanding ergonomics and visibility allowing the driver to concentrate on driving

Customer adaption special order, with GCM application upgrade requirement.

UD Trucks Australia
udtrucks.com/Australia

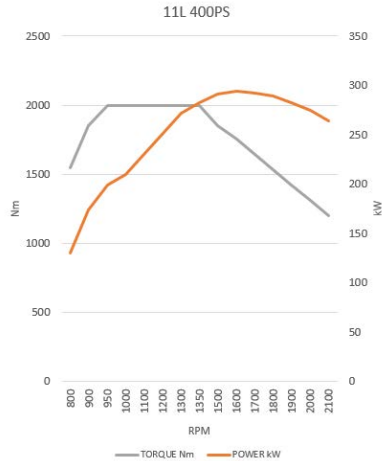
GENERAL SPECIFICATIONS

ENGINE

Model:	GH11TB GH11TC GH11TD
Description:	6 cylinder, 4 stroke diesel engine
Displacement:	10,837 cc
Bore x stroke:	123 mm x 152 mm
Compression ratio:	17.5:1
Max. governed engine speed:	2,100 rpm

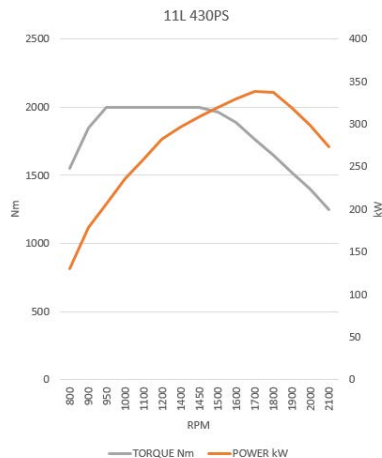
GH11TB400PS

294kW (400PS) @ 1,600rpm
2,000Nm (1475 lb-ft)
@ 950 -1,350rpm



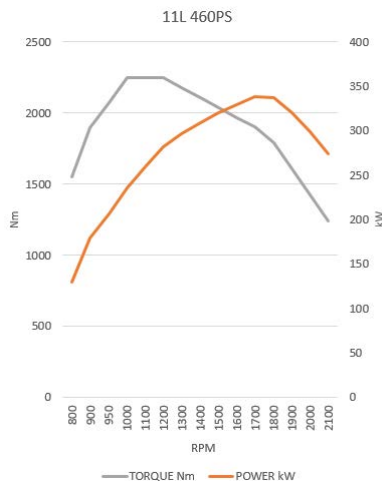
GH11TC430PS

316kW(430PS) @ 1,600rpm
2,000Nm (1475 lb-ft)
@ 950 -1,450rpm



GH11TD460PS

338KW(460PS) @ 1,700rpm
2,250Nm (1659 lb-ft)
@ 1,000 - 1,200rpm



SAFETY

Passive Safety:	Highly rigid cabin Side door beams Front underrun protection system (FUPS) SRS driver steering wheel airbag Driver side seat belt with pre-tensioner Steering wheel & column with impact absorption function
Active Safety:	Traffic Eye Brake System Traffic Eye Cruise Control with auto stop and driver initiate go LDWS (Lane Departure Warning System) Electronic Stability Control (UDSC) Automatic Hill Start Assist (HSA) Lane change support LHS & RHS Blind side information system LHS & RHS
Basic Safety:	LED Headlamps Disc brakes Anti Locking Brake System Emergency Braking System UD Extra Engine Braking (UD EEB) Safe Brake Blending Immobiliser Two-step entry and exit

FUEL AND INTAKE SYSTEM

Fuel capacity:	400 litres
Injection type:	High pressure common rail direct fuel injection system
Filtration:	Chassis mounted primary filter and engine mounted secondary filter

EMISSION CONTROL

Emission standard:	pPNLT (equivalent to Euro 6 emission requirements)
Adblue capacity:	50 litres
Exhaust system:	RHS chassis mounted box muffler

ELECTRICAL

Power:	24 volt, negative ground system
Battery capacity:	2 x 12 volt 165 Ah batteries
Alternator:	150 amp

TRANSMISSION

Make:	UD Trucks																												
Model:	ESCOT-VI (AT02612F)																												
Description:	Automated manual transmission (AMT) 12 forward & 2 reverse gears																												
Shift type:	Electronic shifter with fully automatic or manual control																												
Gear ratios:	<table border="0"> <tr> <td>1st</td> <td>11.73</td> <td>7th</td> <td>2.70</td> </tr> <tr> <td>2nd</td> <td>9.21</td> <td>8th</td> <td>2.12</td> </tr> <tr> <td>3rd</td> <td>7.09</td> <td>9th</td> <td>1.63</td> </tr> <tr> <td>4th</td> <td>5.57</td> <td>10th</td> <td>1.28</td> </tr> <tr> <td>5th</td> <td>4.35</td> <td>11th</td> <td>1.00</td> </tr> <tr> <td>6th</td> <td>3.41</td> <td>12th</td> <td>0.78</td> </tr> <tr> <td>Rev 1</td> <td>13.73</td> <td>Rev 2</td> <td>10.78</td> </tr> </table>	1st	11.73	7th	2.70	2nd	9.21	8th	2.12	3rd	7.09	9th	1.63	4th	5.57	10th	1.28	5th	4.35	11th	1.00	6th	3.41	12th	0.78	Rev 1	13.73	Rev 2	10.78
1st	11.73	7th	2.70																										
2nd	9.21	8th	2.12																										
3rd	7.09	9th	1.63																										
4th	5.57	10th	1.28																										
5th	4.35	11th	1.00																										
6th	3.41	12th	0.78																										
Rev 1	13.73	Rev 2	10.78																										
PTO capacity:	500 Nm @ 103% or 81% (PTR-FH6) 1000 Nm @ 115% or 90% (PTR-D)																												

FRONT AXLE AND SUSPENSION SYSTEM

Ground capacity:	8,200 kg
Axle type:	Reverse Elliot I-Beam
Suspension:	Parabolic leaf spring with double acting shock absorbers
Spring dimensions:	90mm x 1460mm
Spring constant:	347.7 N/mm

REAR AXLE AND SUSPENSION SYSTEM

Ground capacity:	20,000 kg
Axle type / model:	Single reduction, hypoid gear, with cross locks
Final reduction ratio:	4.13, 4.50
LEAF SUSPENSION	
Description:	Multi-leaf spring suspension, with rubber cushions
Leaf dimensions:	75mm x 1380mm
AIR SUSPENSION	
Description:	8 air bag
Shock absorbers:	Telescopic double acting
Road friendly certification number:	RF2099 (air only)
Control system:	Electronic Controlled Air Suspension with remote control mounted in cab (ECAS4)

BRAKES

Type:	Electronic braking system (EBS) with disc brakes on all axles
Front/Rear:	430 mm rotors / 430 mm rotors
Park brakes:	Hand-operated pneumatic spring park brake on drive axles
Auxiliary brake:	Exhaust plus engine compression type (EEB)
Trailer connections:	Air and electrical connections to rear of chassis

STEERING

Type:	Recirculating ball and screw with hydraulic assist
Steering gear ratio:	24.1 - 26.8 : 1
Column:	Adjustable, tilt and telescopic control
Steering wheel:	460 mm diameter with ignition key steering lock

WHEELS & TYRES

Wheels:	8.25in x 22.5in rim with 165mm offset and ISO 10 stud pattern (335mm PCD)
Front tyres:	295/80 R22.5 Bridgestone R150Z
Rear tyres:	11R 22.5 Bridgestone M711AZ
Spare tyre:	295/80 R22.5 Bridgestone R150Z

FRAME

Width:	850 mm
Side rail dimensions:	300 mm x 90 mm x 8 mm
Material:	Rolled high tensile carbon steel
Tensile strength:	600MPa / 600N/mm ²

DRIVER INFORMATION & CUSTOMISABLE COLOUR DISPLAY SCREEN

In Dash Warning Systems:	Visual warning lamps with audible warning tones, plus written warnings displayed in full colour on the information screen
In Dash Driver Information:	Customisable live information includes: On board fuel coaching with economy tips, fuel & AdBlue usage, instant fuel consumption, digital speedo, trip computer including: time, distance & distance to empty. Hour meter, coolant temp, engine oil temp, transmission oil temp, UDPC level, volt meter.

INTERNAL CABIN

Lighting:	Dual ON/OFF/DOOR interior lights Interior neon cabin lamp
Seating capacity:	Two (three seats optional) ISRI 6860/875 air suspended seat with integrated seat belt & adjustable arm rest.
Driver's seat:	Adjustable height control & rebound damper. With split seat back adjustments for recline & head rest position. Seat base tilt, seat cushion slide, seat air dump switch. Adjustable air bladders (4) for side bolsters, upper & lower lumbar
Passenger seat/s:	Assistant seat with adjustable back & head rest
Sleeping capability:	ADR 42/04 compliant sleeper bunk with mattress and full curtains
Side windows:	Power operated door glass
Security:	Remote central locking with immobiliser
Air conditioning:	Fully automatic climate controlled air conditioning with recirculation filter
Multimedia unit:	8 inch high definition capacitive touchscreen with tilting function, AM-FM radio, digital radio & internet radio (requires phone data), USB & auxiliary ports & PDF reader, standard WDR digital reverse camera with microphone & infra-red function, four additional camera capable, Wi-Fi & phone tethering enabled, Bluetooth handsfree operation, Android connectivity, Apple connectivity with Siri inputs, truck specific satellite navigation with 3 free map upgrades. Options available: Cordless Qi rated phone charging pocket, tyre pressure monitoring & reverse sensors
Storage:	Multiple in-cab compartments
Power outlet:	24 volt 240W & 12 volt 120W in dash
DIN accessory fitment:	Two DIN sized compartments
Floor covering:	Vinyl

EXTERNAL CABIN

Cab Description:	Forward control, pressed steel construction
Mounting type:	Full floating, 4 bag air suspended cab with 4 dual acting shock absorbers and dual automatic height control valves.
Cab paint:	Standard – Polar White
Inspection points:	Back of the cab and front panel
Bumper type:	3 piece with steel corner panels
Mirrors:	Heated and electrically operated main mirrors with flat glass, wide vision and passenger-side downward facing spot mirrors
Lamps:	LED head lamps (low beam) Bumper mounted fog lamps Roof mounted clearance lights
Wipers:	Triple arm, 2 speed wipers with variable intermittent operation and integrated washers
Reversing system:	Reverse beeper and digital infrared camera with microphone

GENERAL SPECIFICATIONS

FACTORY OPTIONAL EQUIPMENT

Tyres:	275/70 R22.5
Wheels:	Alcoa aluminium wheels
Rear engine PTO:	DIN 5462 or Flange SAE1410; 650 Nm capacity
Safety:	Driver Alert System Driver Monitoring System
Cab Interior:	Leather steering wheel, woodgrain dash, centre console or 2nd passenger seat
Cab Exterior:	Roof scoop, chrome grille, roof beacon prep kit, bumper spoiler, passenger door peep window, cab auxiliary side windows
Additional Wheelbases:	4,250mm, 4,700mm & 5,100mm
Chassis:	Additional 400 litre fuel tank (V wheelbase only), front axle stabiliser.
Cab Paint:	Custom paint colours.

UD CONNECT (FLEET MANAGEMENT)

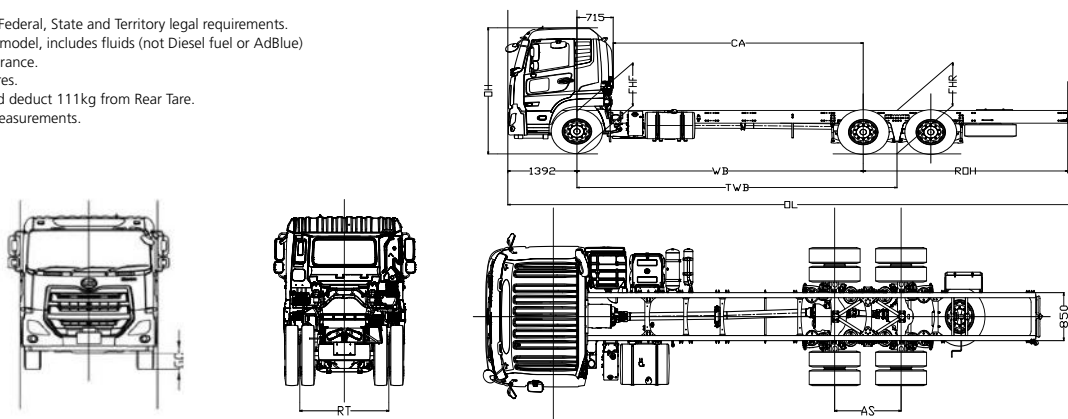
Telematics hardware:	In-cab GSM and GPS unit with SIM-card connected to roof antenna
Subscription:	12 months included
Packages:	Fuel and Environment Positioning
Key Reports:	Total operational time and distance Average speed and fuel consumption Total CO ² emission Vehicle utilisation Anticipating & braking Engine & gear utilisation Speed adaptation Time idling (standstill)

WEIGHTS AND DIMENSIONS (approx.)

Variant	Wheelbase code	Mass (kg)			i) 400HP Vehicle Dimensions (mm)														UD order code
		GVM*	GCM	Total Tare ¹	WB	TWB	OL	OW	OH	FT	RT	AS	ROH	CA	GC ²	FHF ²	FHR ²	Turning radius (kerb to kerb)	
UD-Leaf	T	26000	50000	7830	3700	4385	7867	2490	2970	2062	1851	1370	2645	2985	249	1022	1091	6900	CW26400LAL
	T	26000	50000	8063	5350	6035	11167	2490	2970	2062	1851	1370	4295	4635	249	1026	1089	9300	CW26400TAL
UD-Air	V	26000	50000	7956	5800	6485	11467	2490	2970	2062	1851	1370	4145	5085	249	1027	1028	9900	CW26400VAA

Variant	Wheelbase code	Mass (kg)					ii) 430/460HP Vehicle Dimensions (mm)														UD order code
		GVM*	GCM	Front Tare ¹	Rear Tare ¹	Total Tare ¹	WB	TWB	OL	OW	OH	FT	RT	AS	ROH	CA	GC ²	FHF ²	FHR ²	Turning radius (kerb to kerb)	
UD-Air	T	26000	55000	TBC	TBC	8063	5350	6035	11167	2490	2970	2062	1851	1370	4295	4635	249	1026	1089	9300	CW26430/460TAA
	V	26000	55000	TBC	TBC	7956	5800	6485	11467	2490	2970	2062	1851	1370	4145	5085	249	1027	1028	9900	CW26430/460VAA
	K	26000	55000	4374	3492	7866	3600	4285	7557	2490	2970	2062	1851	1370	2495	2745	249	1030	1038	6800	CW26460KAA
UD-Leaf	K	26000	55000	4379	3453	7832	3600	4285	7557	2490	2970	2062	1851	1370	2495	2745	249	1027	1091	6800	CW26460KAL

- * Rated GVM and axle capacities are subject to Federal, State and Territory legal requirements.
¹ Mass is an estimation only based on standard model, includes fluids (not Diesel fuel or AdBlue) excludes driver and tools. Subject to +3% tolerance.
² Based on vehicle with standard wheels and tyres.
³ For alloy rims deduct 56kg from Front Tare and deduct 111kg from Rear Tare.
⁴ For alloy rims add 18mm to both FT and RT measurements.



WARRANTY

Standard warranty*	36 months / 500,000 kms
Cab corrosion warranty*	36 months / unlimited kms
Extended warranty**	60 months / 500,000 kms

*For details refer to your UD Trucks New Vehicle Warranty brochure
 **Purchased by the owner and covers selected factory items only. For details refer to your UD Trucks New Vehicle Warranty brochure

UD Trucks Australia
udtrucks.com/australia

DISCLAIMER: Imported and distributed by Volvo Group Australia Pty Ltd (ABN: 27 000 761 259). Photos for illustration purposes. Volvo Group Australia Pty Ltd reserves the right to modify design and change equipment without previous notification. Please consult with your UD Trucks Dealer for the latest information about vehicle specifications.

Last published December 2022